

BREEZE CABANA ASSEMBLY & INSTALLATION INSTRUCTIONS

UPDATED 9/18/25

DECOSCAPE



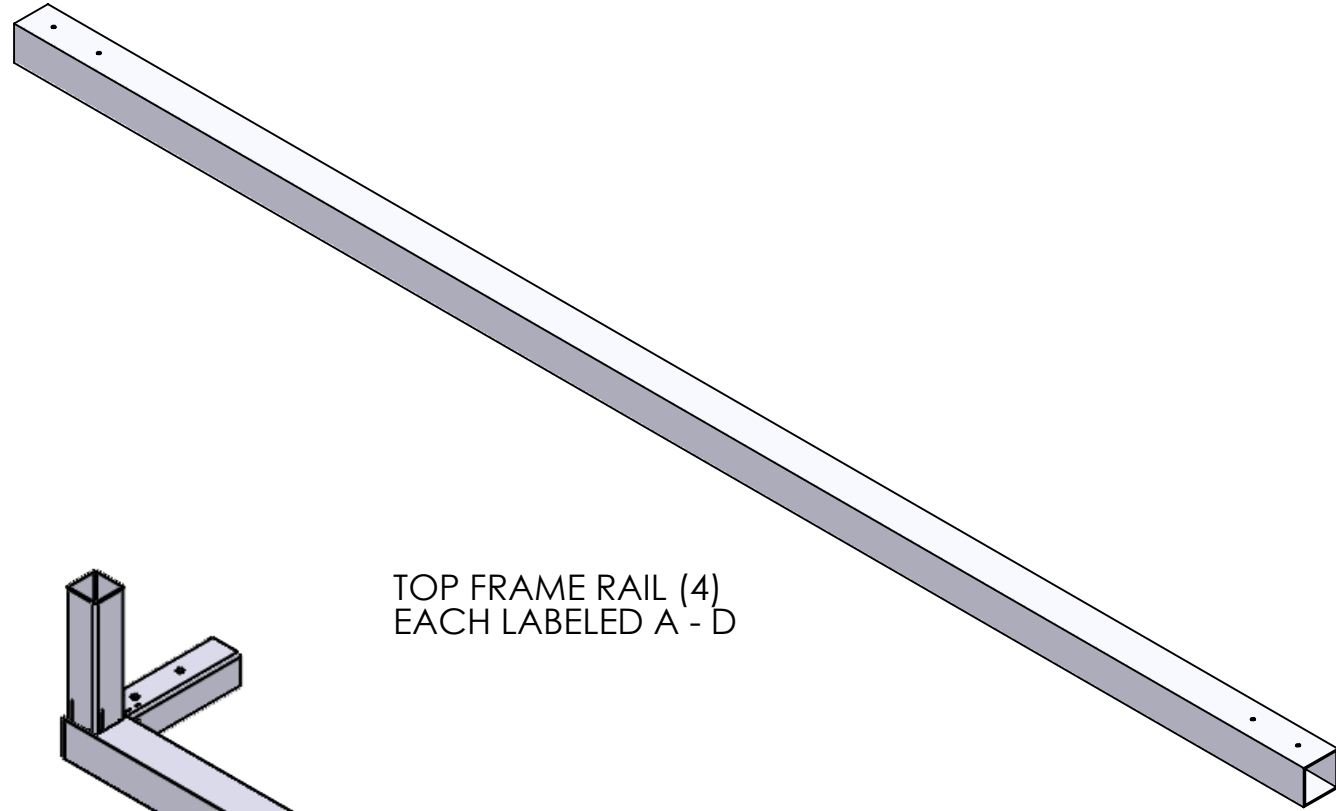
NOTES:

1. (4) people are recommended for this installation.
Approximate assembly time: 1-2 hours.
2. All hardware can be installed manually with an allen key (included). However, the installation process will be faster if a power drill & hex ratchet bit are used (not included).
3. This installation guide is good for all sizes of the Breeze Cabana products (standard or custom).
4. Breeze Cabana products cannot be left free-standing - they must be properly secured to concrete (see page 4).
5. The client & the installer are responsible for verifying & abiding by all local & state law for standing structures at the installation location. DecoScape is not liable should any fines or lawful action be taken against the unauthorized or unverified installation of this product.
6. Failure to follow all installation instructions may result in damages to the product & its surrounding, as well as injury to the public. DecoScape is not liable for any damages or injury resulting from the inadequate assembly & installation of this product.

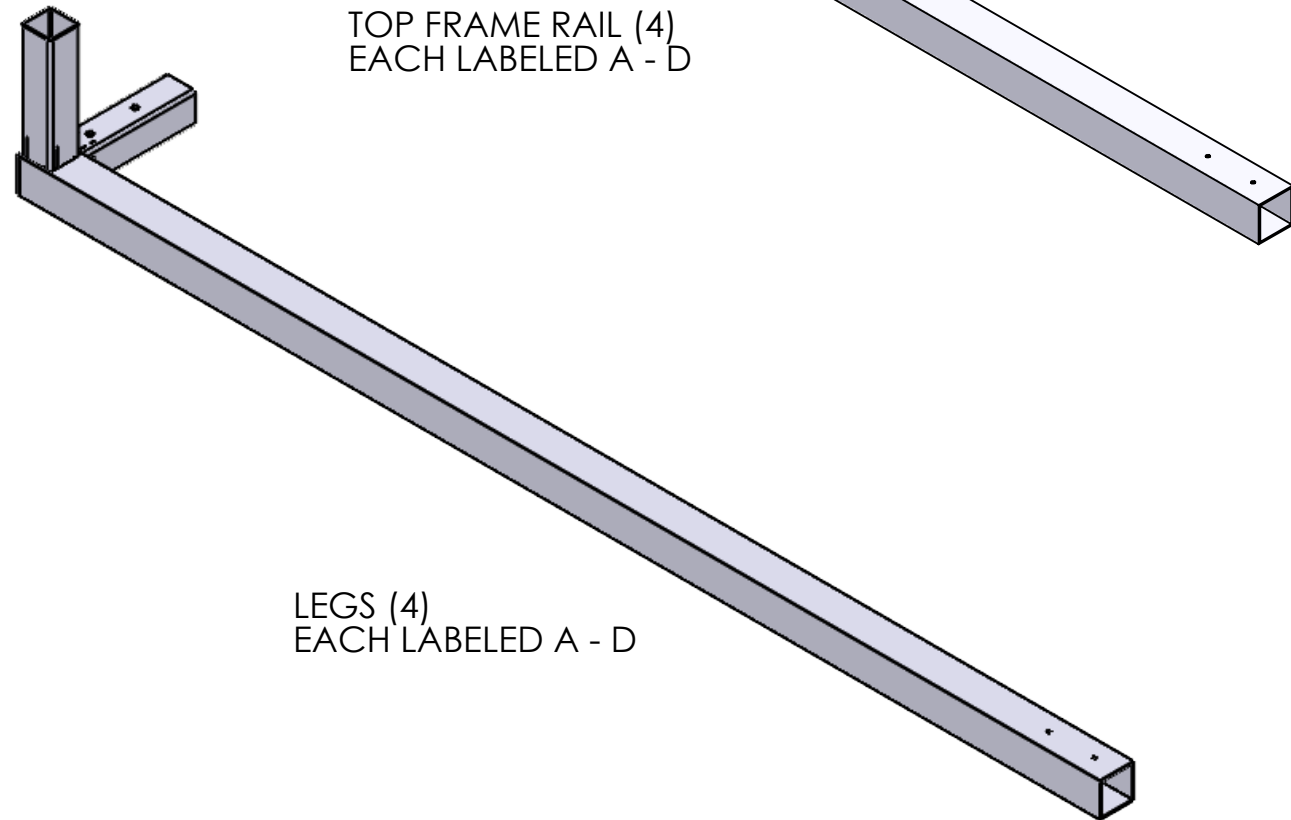
ITEM LIST

NOTES:

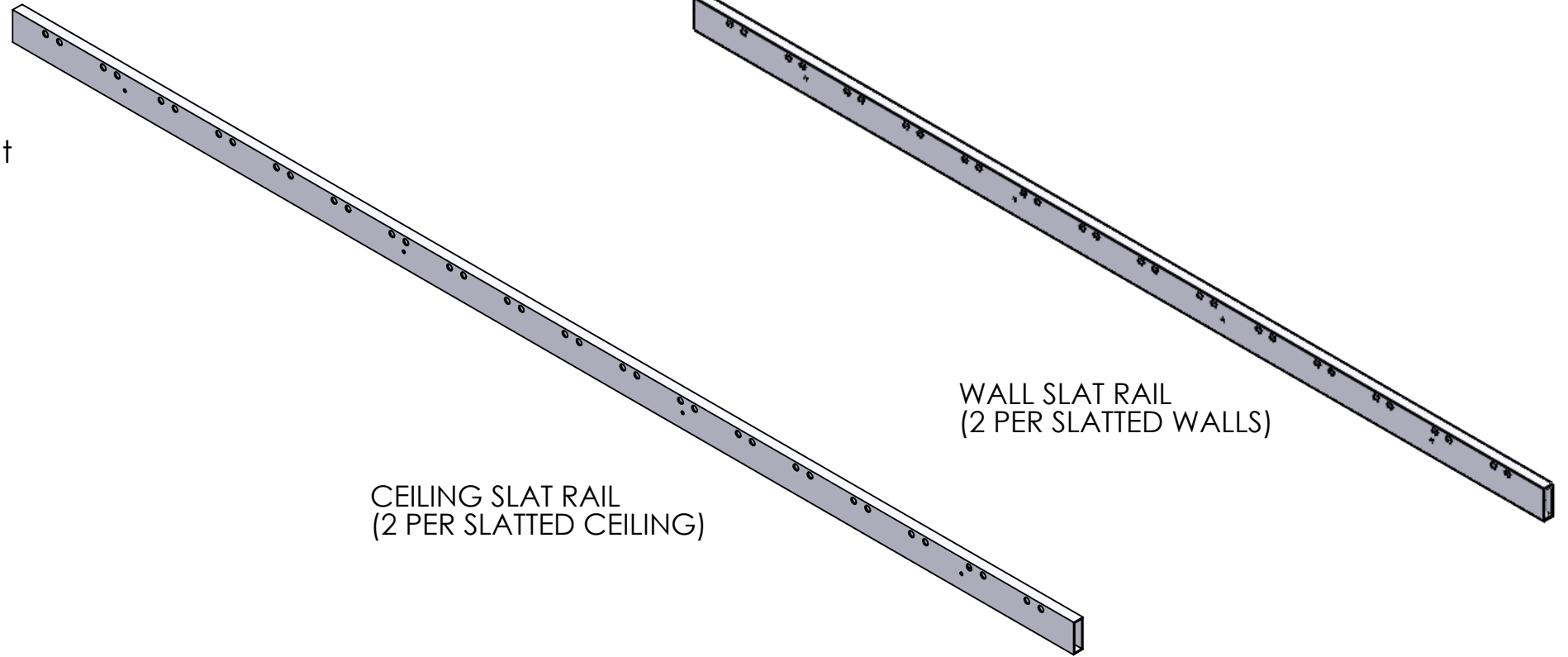
1. Ensure all parts are present prior to assembly.
2. When unwrapping parts, avoid using a blade to prevent scratching & damages to the paint.



TOP FRAME RAIL (4)
EACH LABELED A - D



LEGS (4)
EACH LABELED A - D



CEILING SLAT RAIL
(2 PER SLATTED CEILING)

WALL SLAT RAIL
(2 PER SLATTED WALLS)

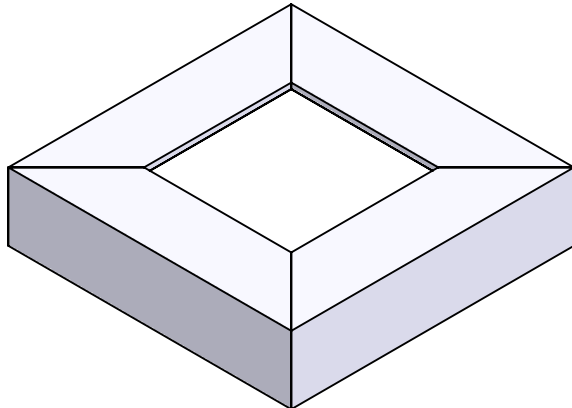


- SLATS (QTY VARIES ON CABANA SIZE)
- (14 PER SLATTED CEILING FOR 8' CABANA)
 - (18 PER SLATTED CEILING FOR 10' CABANA)
 - (14 PER SLATTED WALLS)

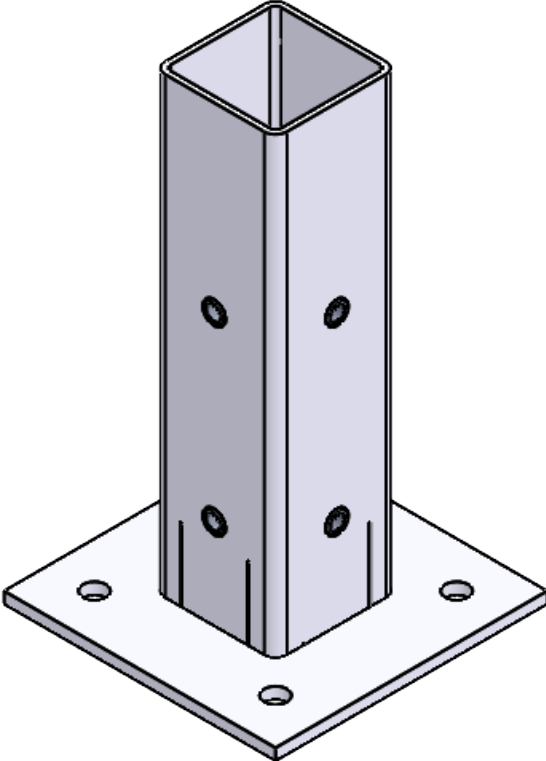
ITEM LIST CONTINUED

NOTES:

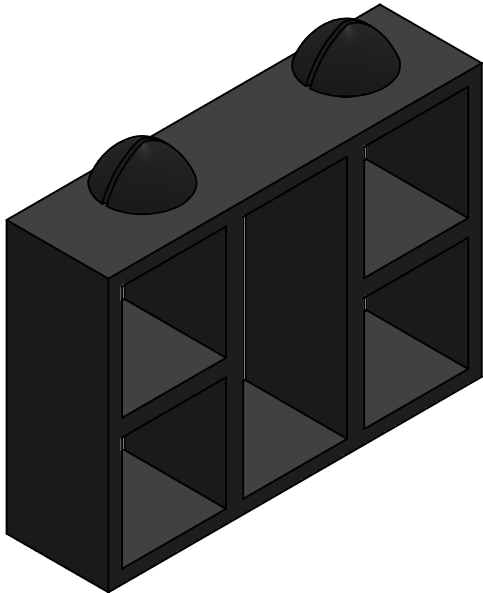
- 1. Ensure all parts are present prior to assembly.
- 2. When unwrapping parts, avoid using a blade to prevent scratching & damages to the paint.



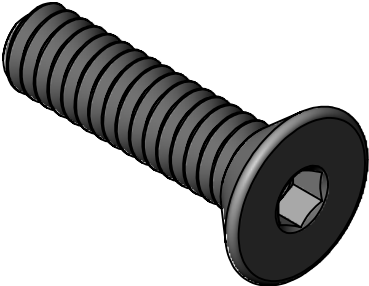
FOOT COVER (4)



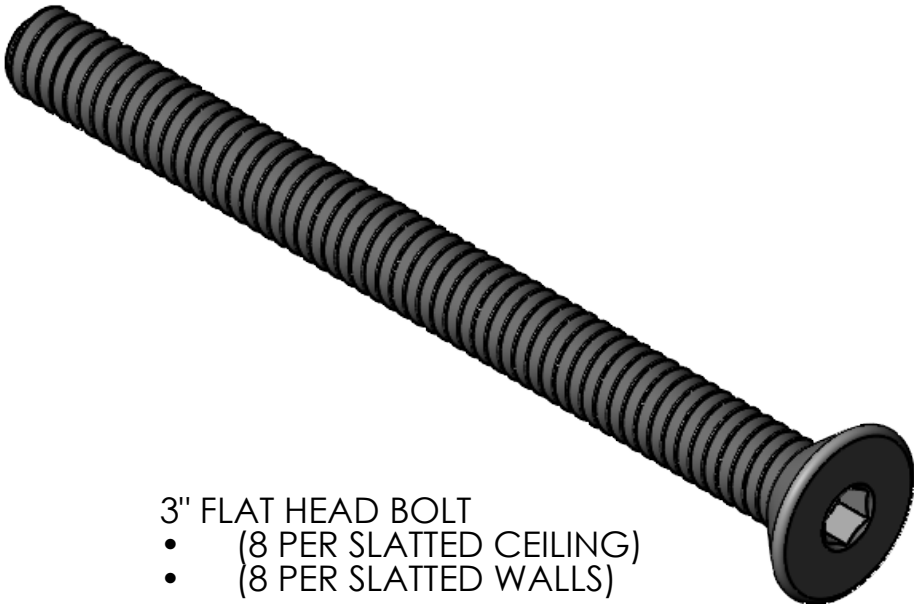
CABANA FOOT (4)



PLASTIC SLAT INSERT (QTY VARIES WITH CABANA SIZE)
• (28 PER SLATTED CEILING FOR 8' CABANA)
• (36 PER SLATTED CEILING FOR 10' CABANA)
• (28 PER SLATTED WALLS)



1" FLAT HEAD BOLT (48)



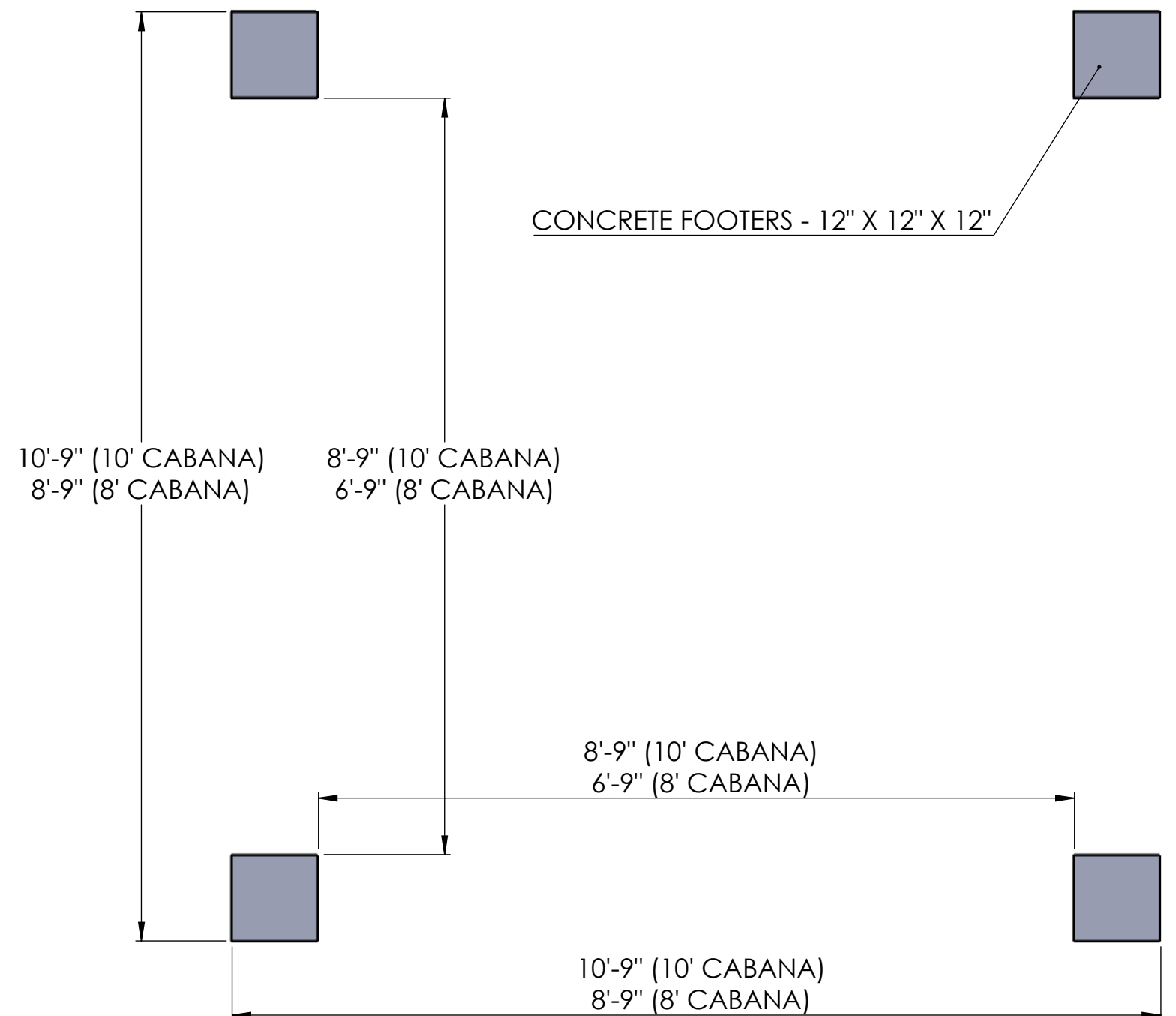
3" FLAT HEAD BOLT
• (8 PER SLATTED CEILING)
• (8 PER SLATTED WALLS)

FLOORING & MOUNTING REQUIREMENTS

NOTES:

1. The specifications in this guide are only recommendations. Official requirements for standing structures will vary in each state, city, or municipality. The client & the installer are responsible for verifying & abiding by all local & state law for standing structures at the installation location. DecoScape is not liable should any fines or lawful action be taken against the unauthorized or unverified installation of this product.
2. Mounting surface should be prepared prior to installation. The specifications can be (1) of the following options:
 - 4" thick minimum concrete slab, extending at least 12" beyond the area of the cabana on all sides.
 - 12" x 12" x 12" concrete footers for each mounting plate (see attached diagram).
3. In either option, laser technology should be utilized to ensure a level mounting surface.
4. Wedge anchors (not included) should be used to fasten the structure to the concrete (4 per footplate). Official fastening requirements may vary in each location.
 - Recommended: Red Hed Wedge Anchor - 1/4 x 20 UNC, 2" LG
 - Part Number: 15X085
 - MFR Model Number: SWW-1422
5. Failure to follow all installation instructions may result in damages to the product & its surrounding, as well as injury to the public. DecoScape is not liable for any damages or injury resulting from the inadequate assembly & installation of this product.

LOCATION DIAGRAM FOR CONCRETE FOOTER OPTION

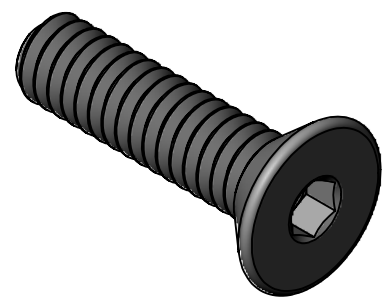


STEP 1: LEG/FOOT ATTACHMENT

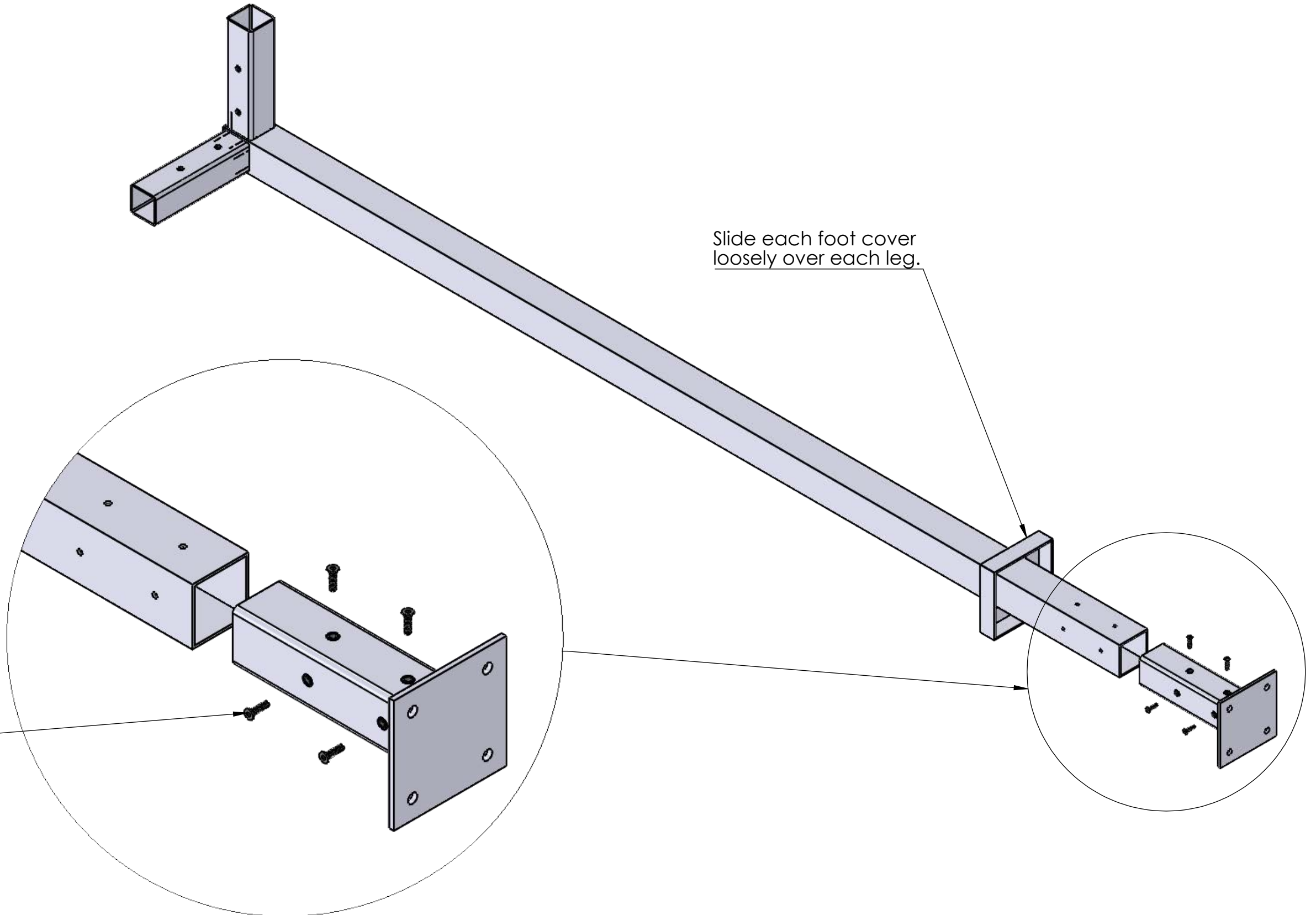
COMPONENTS REQUIRED:

- (4) CABANA LEGS
- (4) CABANA FEET
- (4) FEET COVERS
- (16) 1" FLAT HEAD BOLTS

Slide each foot cover loosely over each leg.



Attach each foot to each leg with (4) of the flat head bolts.



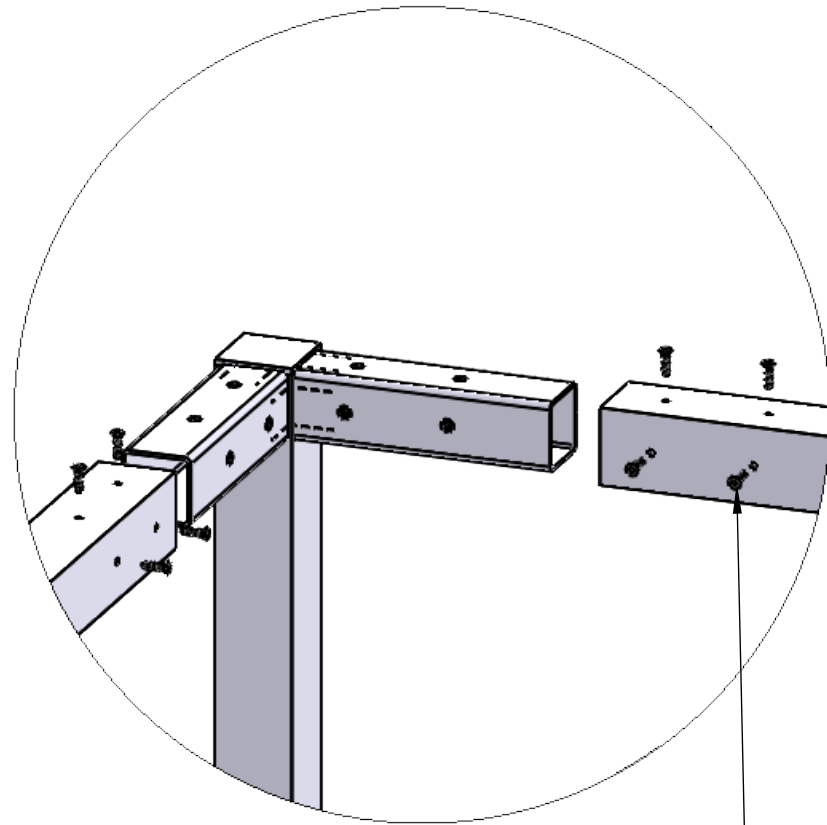
STEP 2: FRAME ASSEMBLY

COMPONENTS REQUIRED:

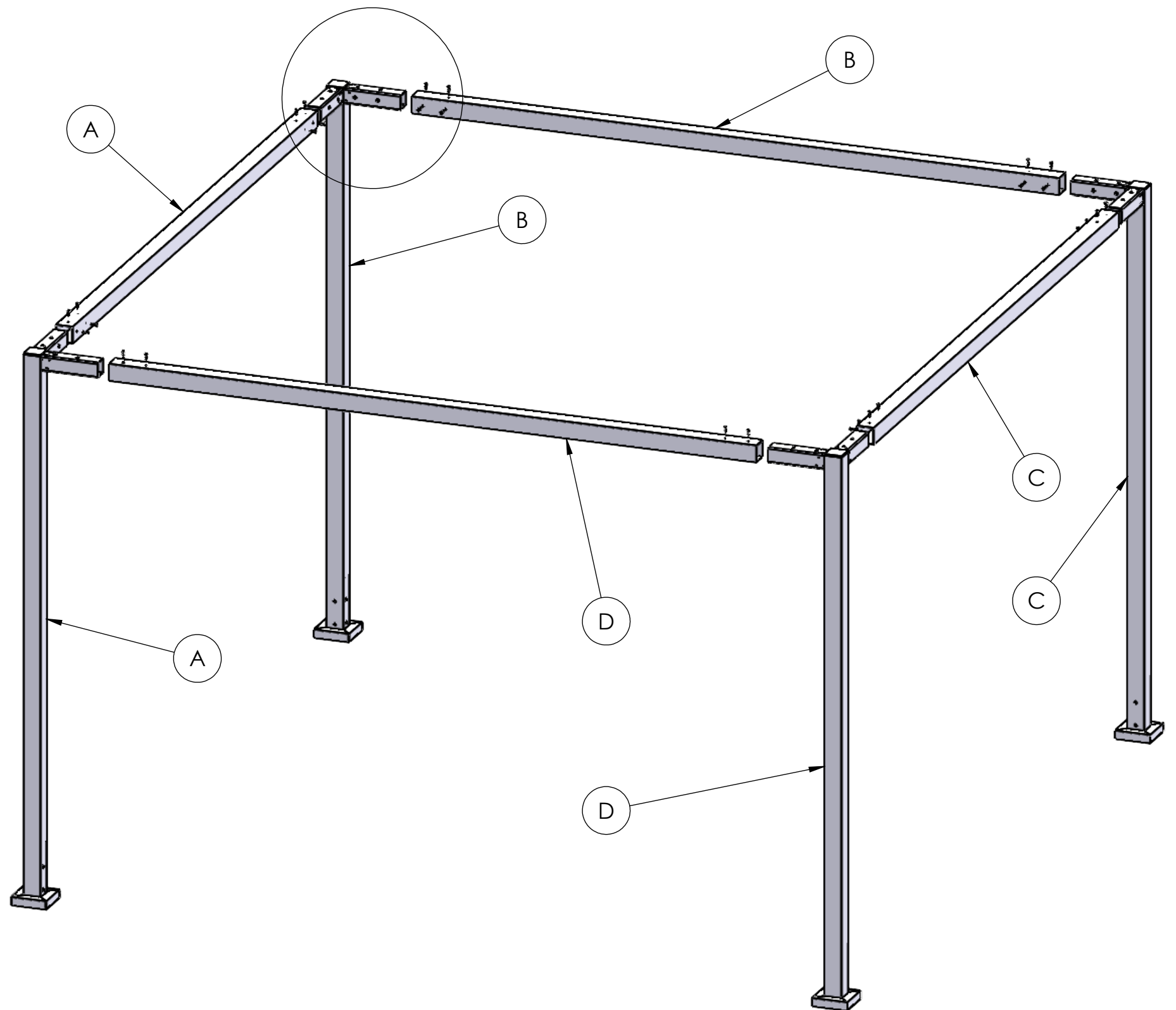
- (4) LEGS WITH FOOT & COVERS ATTACHED
- (4) TOP RAILS
- (32) 1" FLAT HEAD BOLTS

NOTES:

1. Each leg & top rail should be labeled A - D. Ensure each component is in its correct place per the diagram. This is to ensure the specific combination of walls/ceiling can be properly attached.



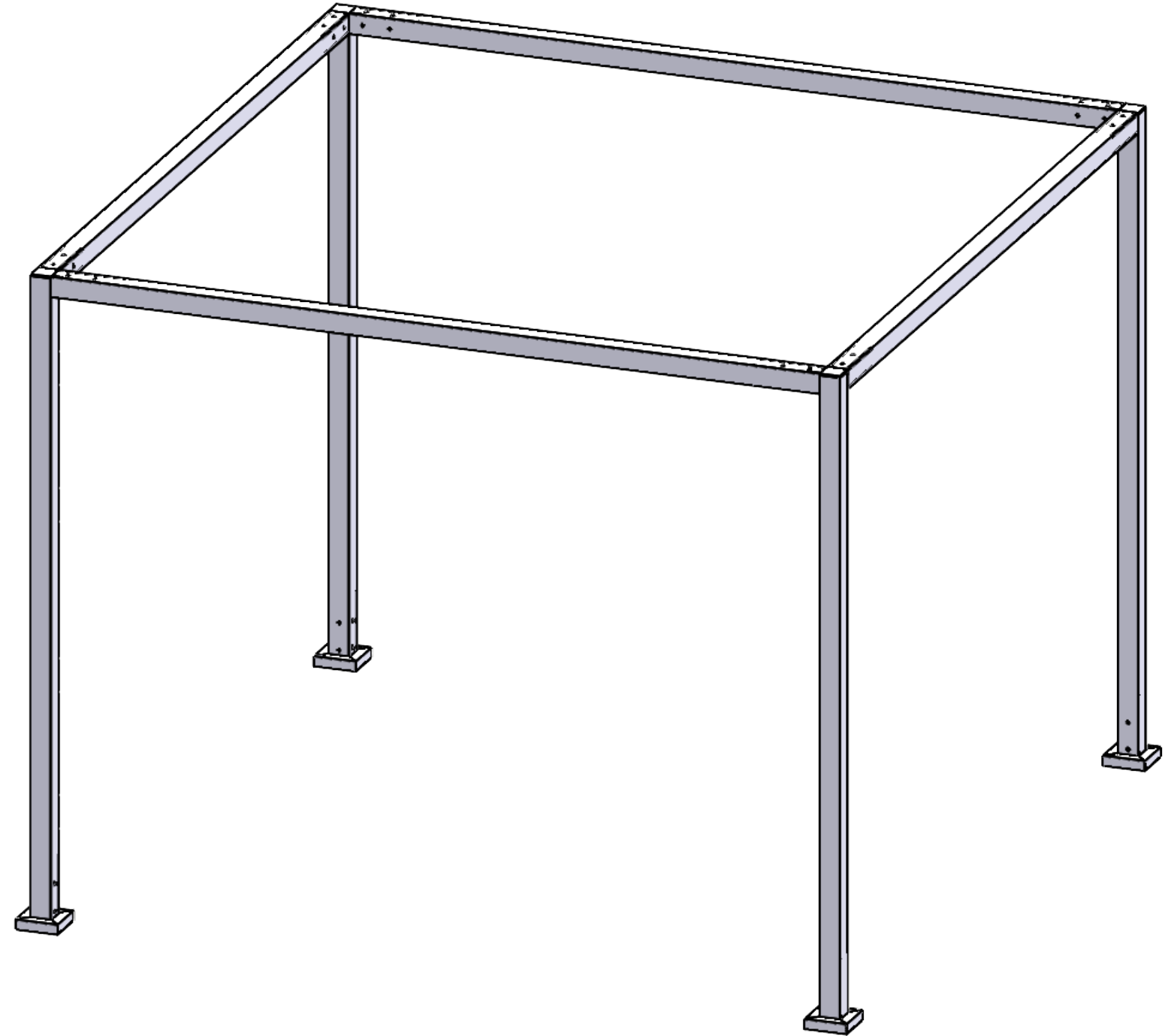
Attach each top rail to each leg with (4) of the flat head bolts.



STEP 3: FRAME ANCHORING

NOTES:

1. Place the frame in the desired mounting location.
2. Utilize laser technology to ensure the frame is perfectly straight. Adjust exact positions of footplates until frame straightness is achieved. Failure to verify frame straightness will result in difficulty attaching wall/ceiling components.
3. Anchor footplates to the ground with selected wedge anchors (see page 4 for recommended mounting hardware).



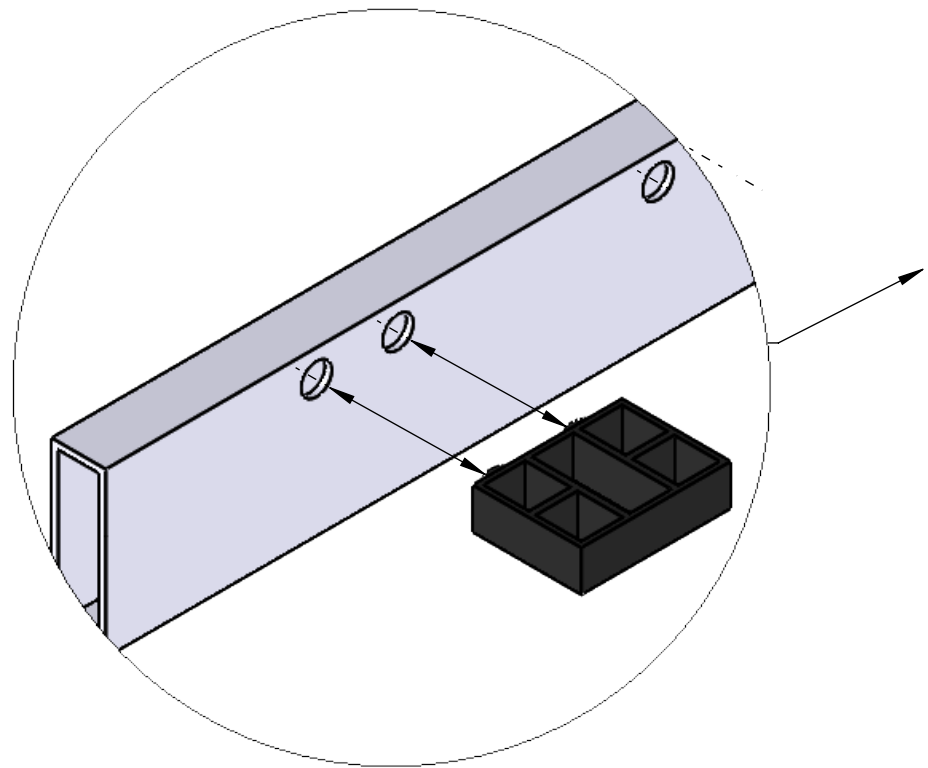
STEP 4: SLAT RAIL ASSEMBLY

COMPONENTS REQUIRED:

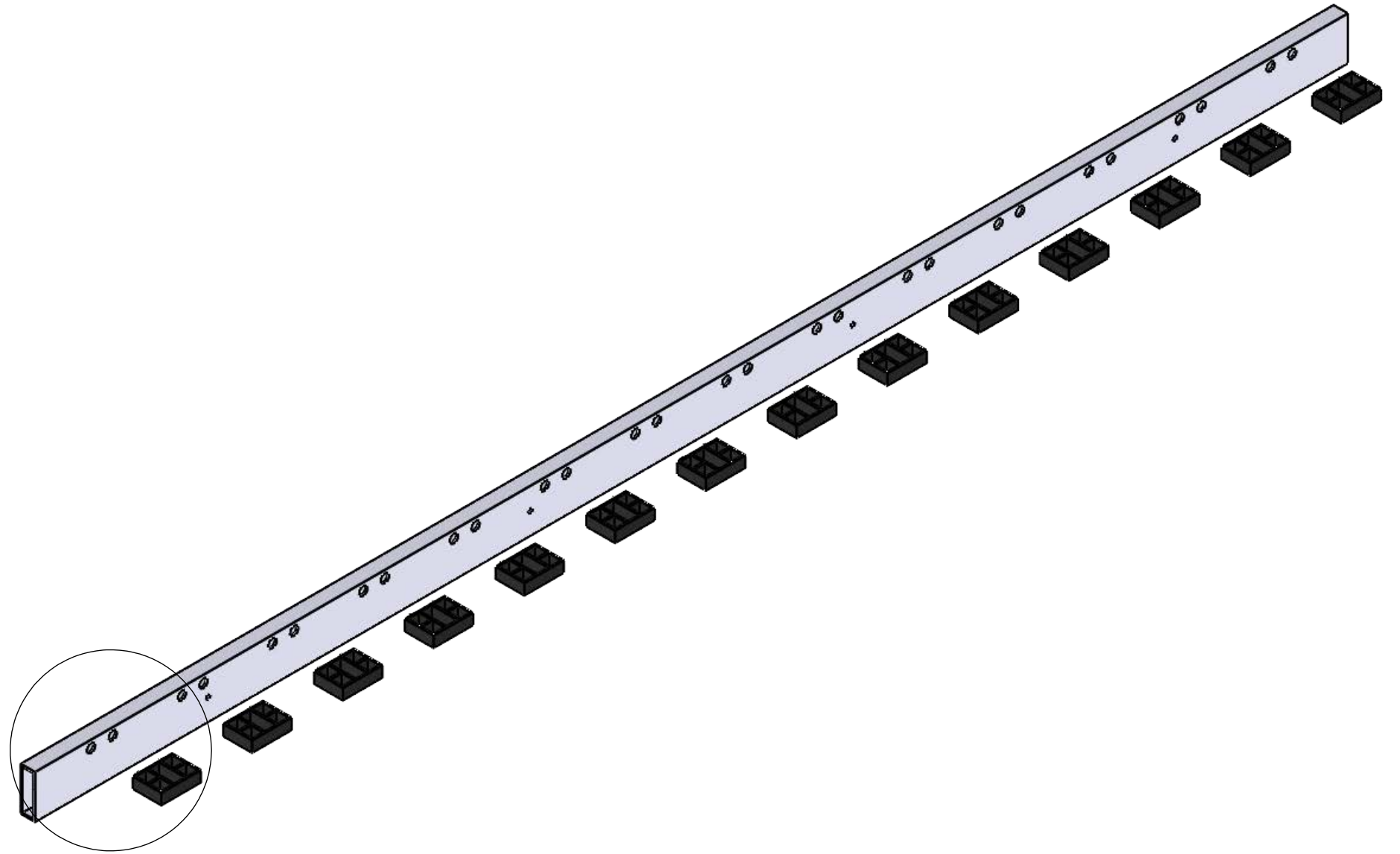
- ALL SLAT RAILS
- ALL PLASTIC SLAT INSERTS

NOTES:

1. For each slatted wall/ceiling, there will be (2) slat rails. Insert the (2) round heads protruding from each plastic insert into the holes lined on all the rails. The fit is intended to be a tight fit and will require a rubber mallet to be fully inserted. Do not open the holes on the rail to be wider; this will loosen the fit of the inserts.



This is a TIGHT fit. Use a rubber mallet.
DO NOT drill open the holes.



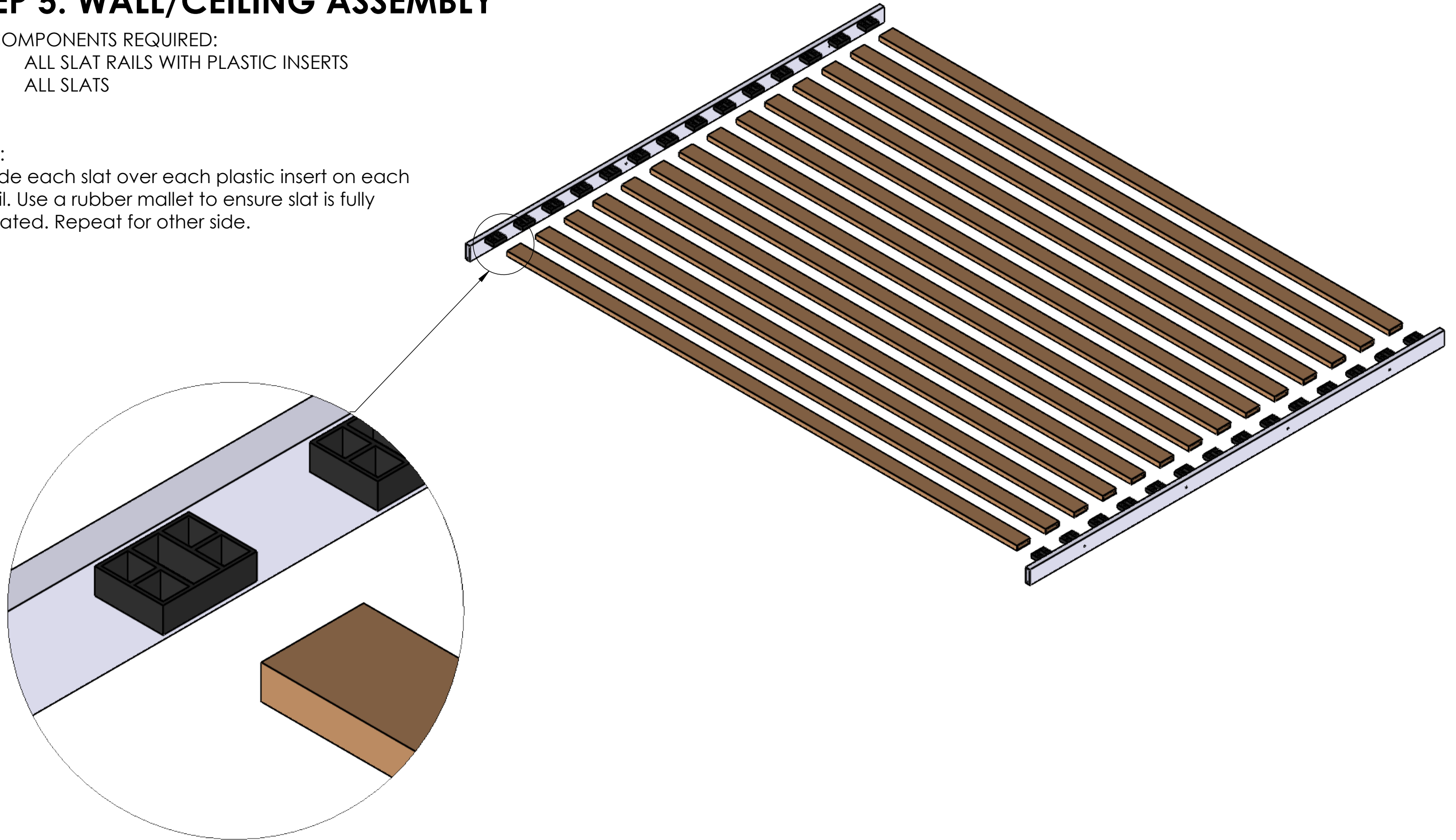
STEP 5: WALL/CEILING ASSEMBLY

COMPONENTS REQUIRED:

- ALL SLAT RAILS WITH PLASTIC INSERTS
- ALL SLATS

NOTES:

1. Slide each slat over each plastic insert on each rail. Use a rubber mallet to ensure slat is fully seated. Repeat for other side.



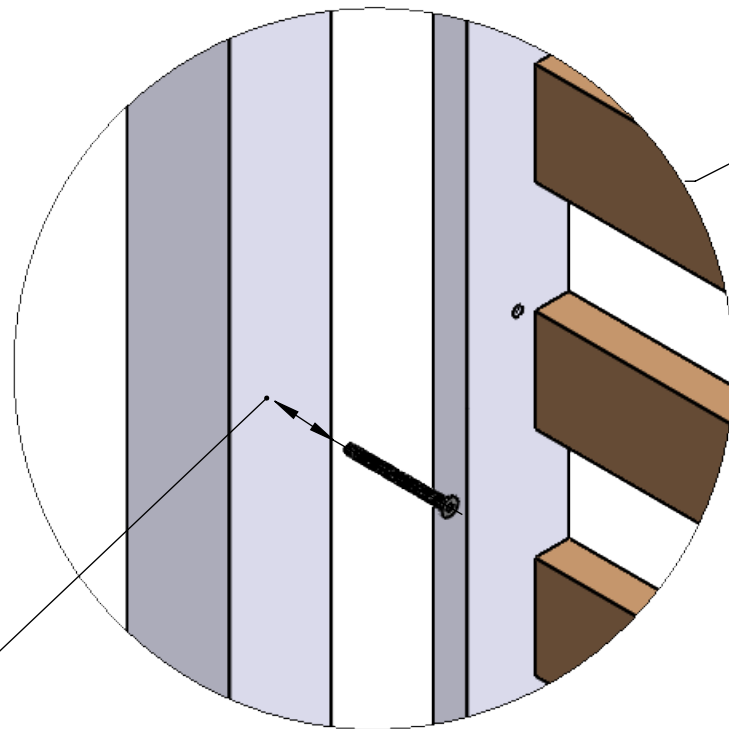
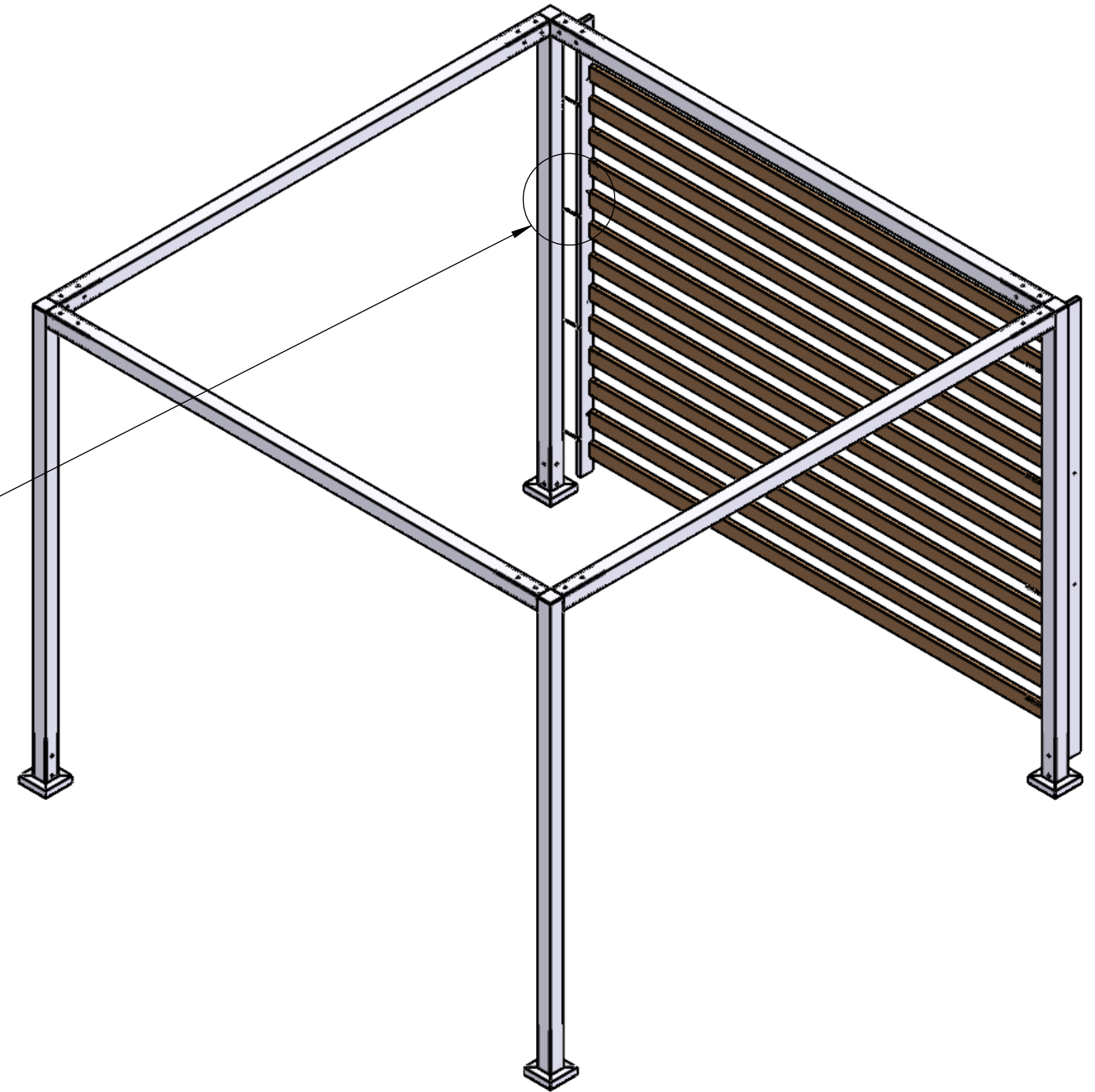
STEP 6: WALL/CEILING ATTACHMENT

COMPONENTS REQUIRED:

- ALL ASSEMBLED CEILING/WALL PANELS
- ASSEMBLED CABANA FRAME (ANCHORED)
- ALL 3" FLAT HEAD BOLTS

NOTES:

1. Align each wall/ceiling panel with rivet holes on cabana frame. Attach panels with 3" flat head bolts. Repeat for all panels.



If the components were assembled according to the A-D diagram on step 2, then all rivet holes should align according to the proper wall/ceiling configuration.